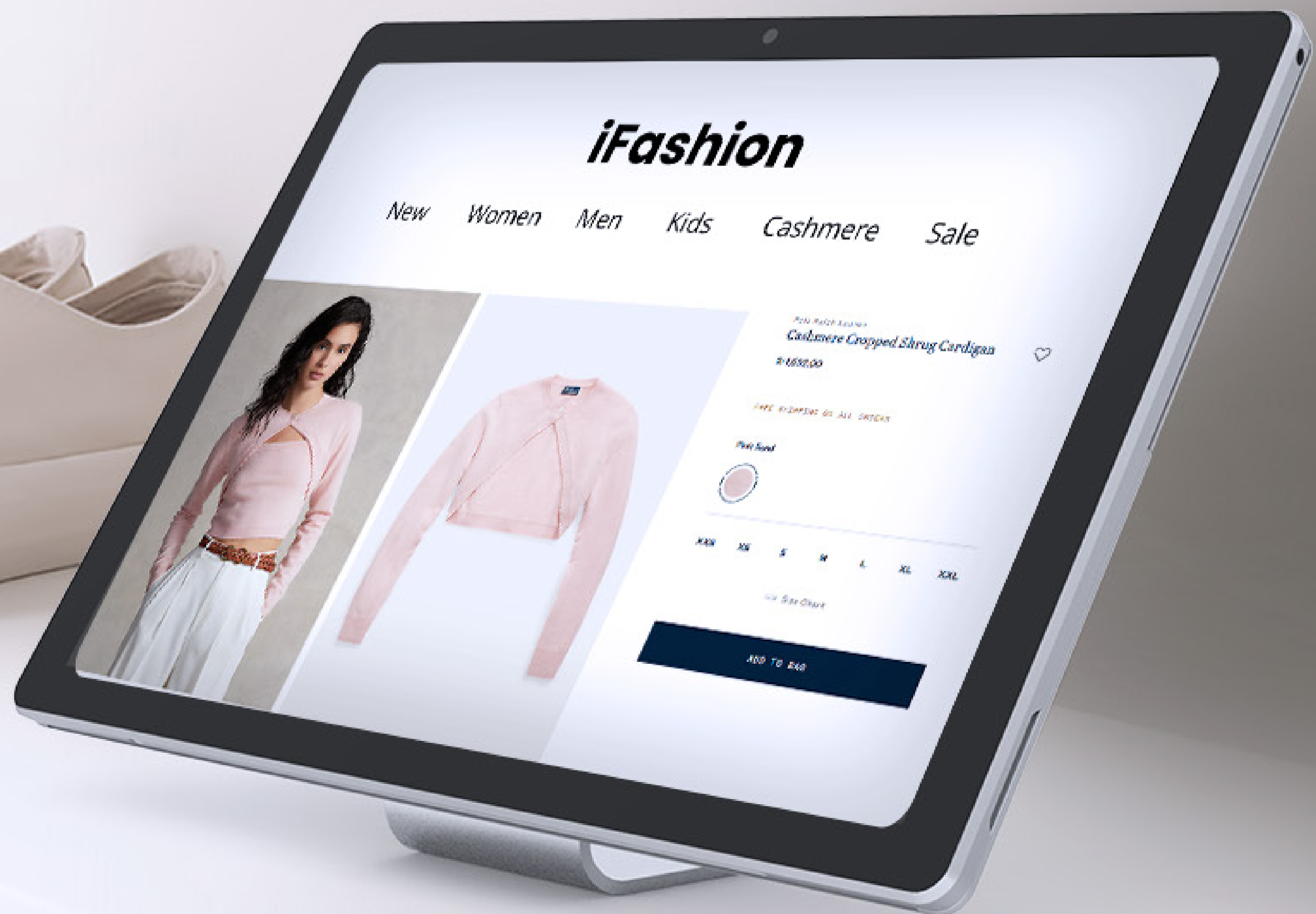


 compulocks

**Display. Secure.
Work Smarter.**

Catalogue 2023

Made for  Microsoft



About us

Compulocks is the leading design manufacturer of IT hardware security and tablet display solutions for businesses and across industries.

With an in-house R&D team and an understanding of every work environment's needs, we provide our customers with high end customer specific products that elevate their work, operations, and communications.



Quality Assurance

Durable materials for long term usage



Security Experts

Creating security solutions for over 10 years



International Service

Operation in North America and Europe serving the world

500

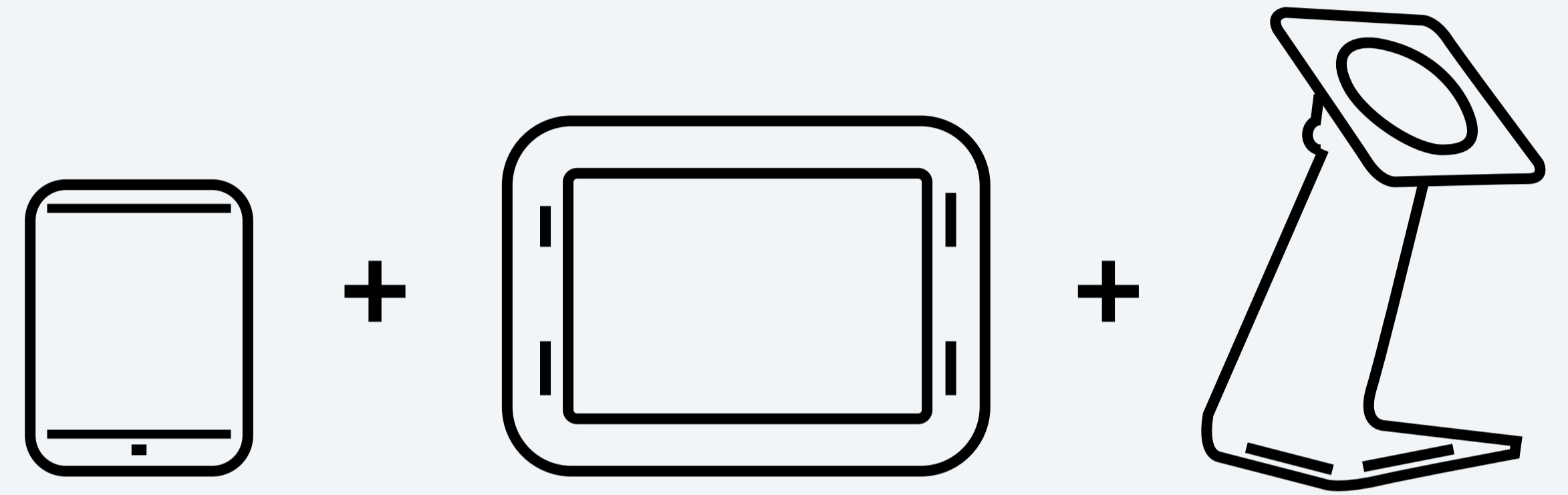
Fortune 500

Chosen by companies from start-up to Fortune 500



I'm looking for...

- 06 [Wall Displays >](#)
- 07 [Counter Stands >](#)
- 08 [Floor Stands >](#)
- 09 [Rolling Stands >](#)
- 09 [Other Mounts >](#)
- 10 [Ergonomic Solutions >](#)
- 11 [Locks >](#)
- 12 [Protective Solutions >](#)
- 12 [Custom Solutions >](#)



Salespeople report that cross-selling generates upto 30% more revenue*

*Source: Hubspot Blog

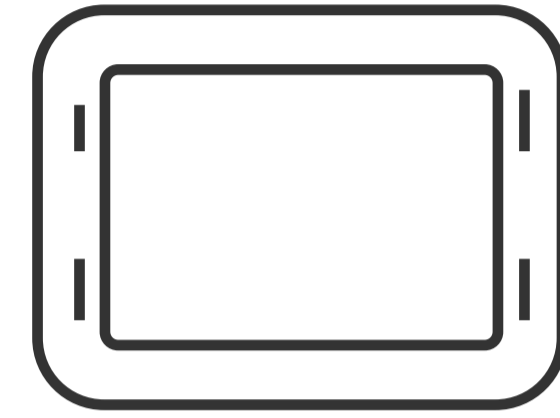


In 2023 our focus is on the future. With our design and engineering experience we are committed to improving the ways people work. We'll be launching new products that enhance connectivity and enable the advances in technology to benefit every workplace.

How do you want to mount your tablet?

All of Compulocks' tablet holders can be paired with any of our floor, wall, or counter displays to fit every tablet and use case

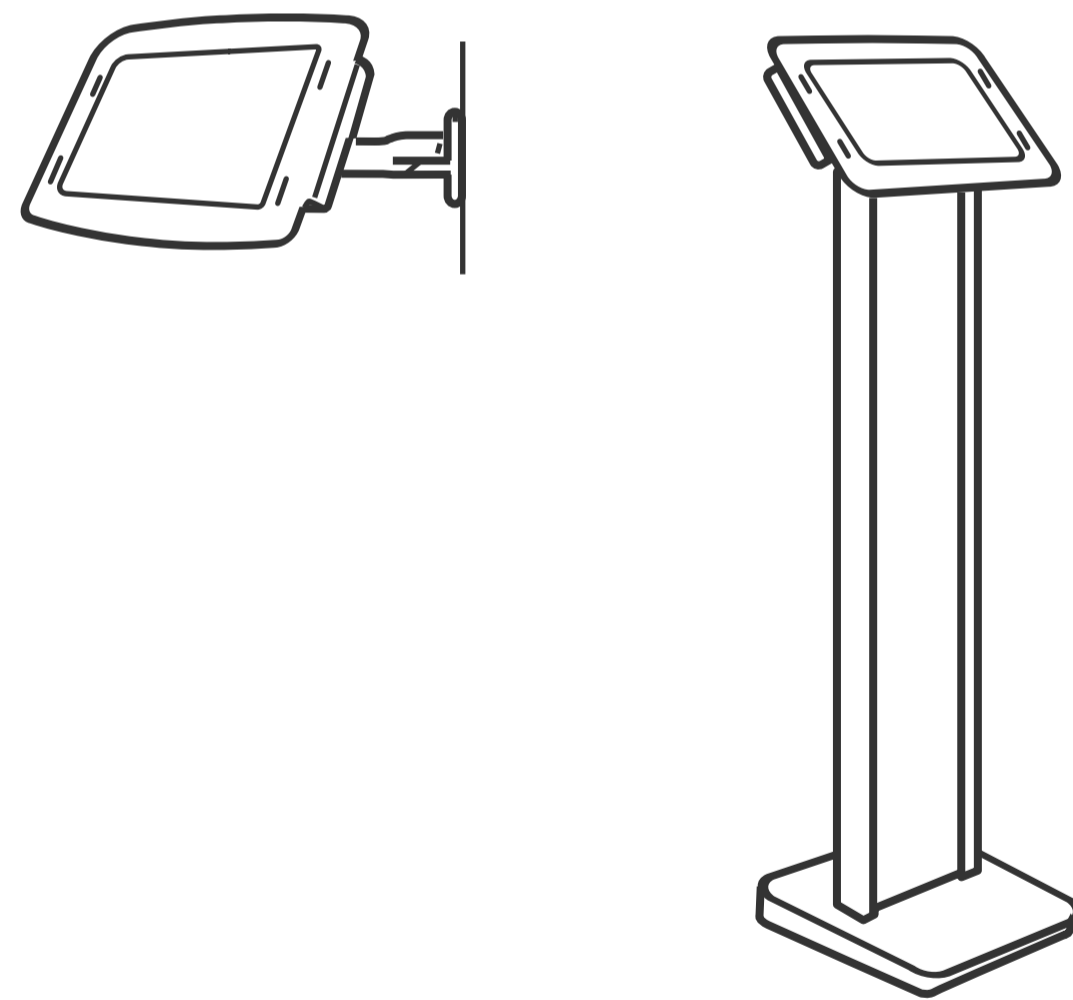
Compulocks allows you to create your best combination, here are a few examples



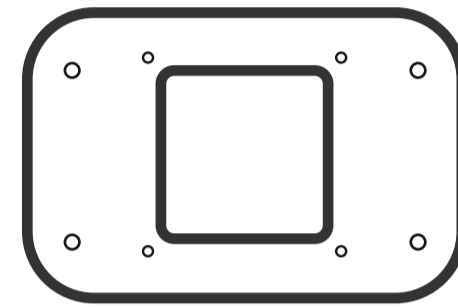
Space

Swing Arm

BrandMe Floor Stand



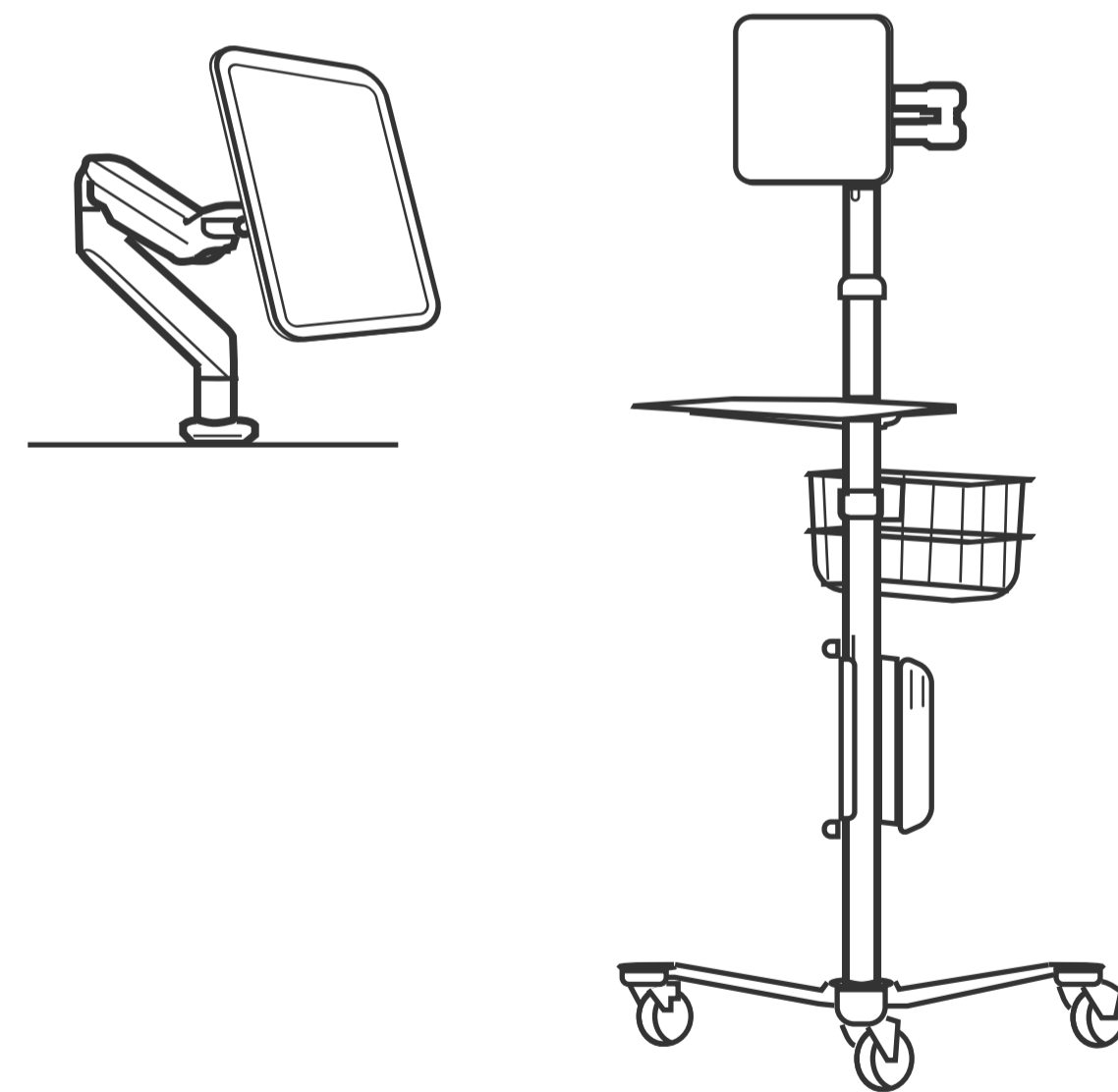
Enclosed
Secured with key
Stylish design



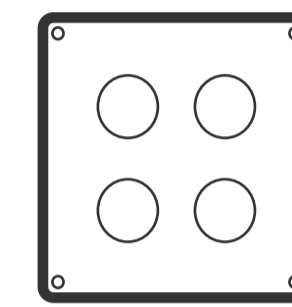
Invisible mount

Reach Arm

Rise Freedom



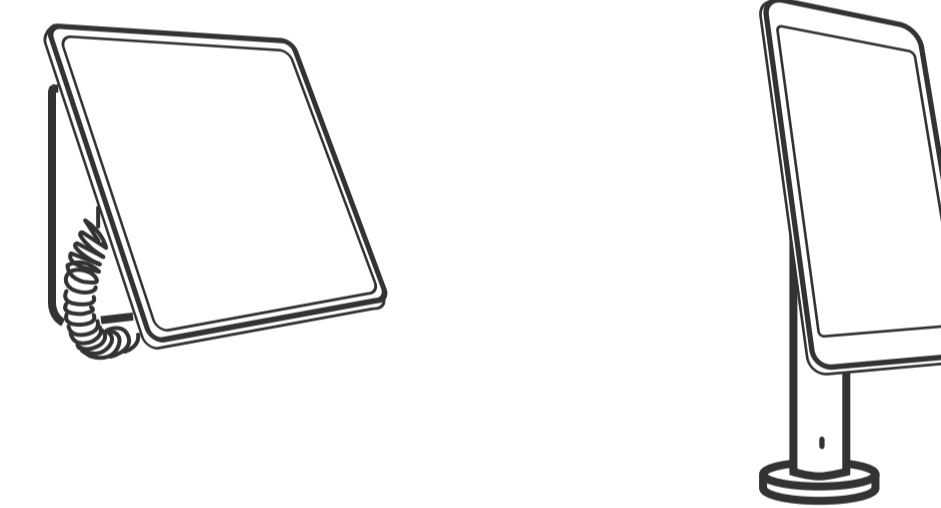
Universal
Low profile
Easily removable



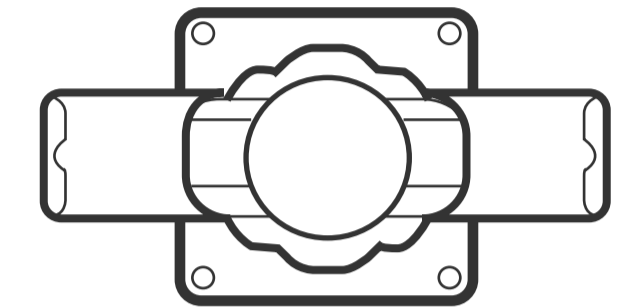
Magnetix

AV Capsule Stand

Rise Stand



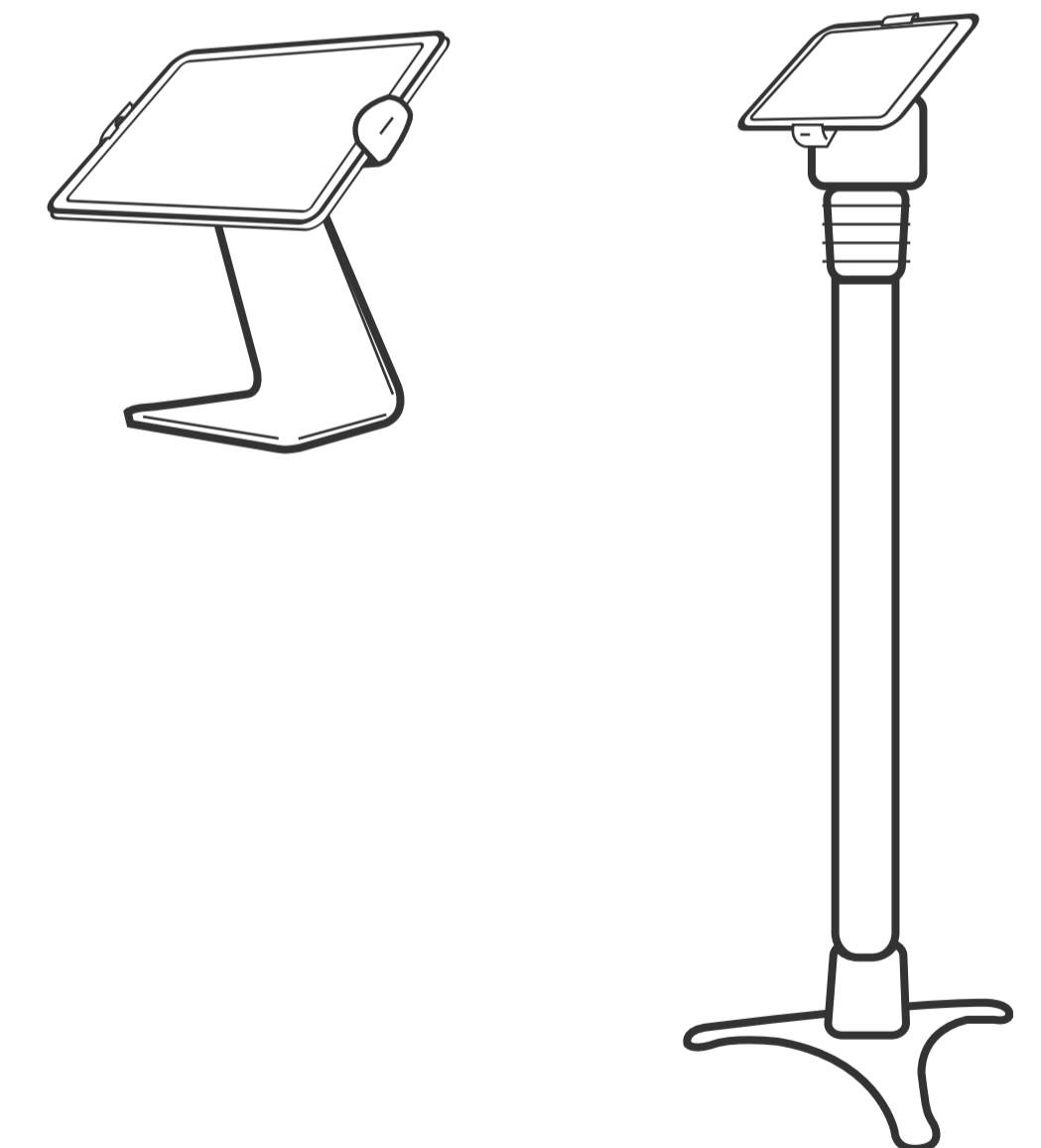
Universal
Allows mobility
Snap on/off



Cling

360 Stand

Adjustable Stand



Universal
Portrait/Landscape orientation
Intuitive design

Wall Displays

Compulocks' wall displays are compatible with every tablet made by Microsoft.



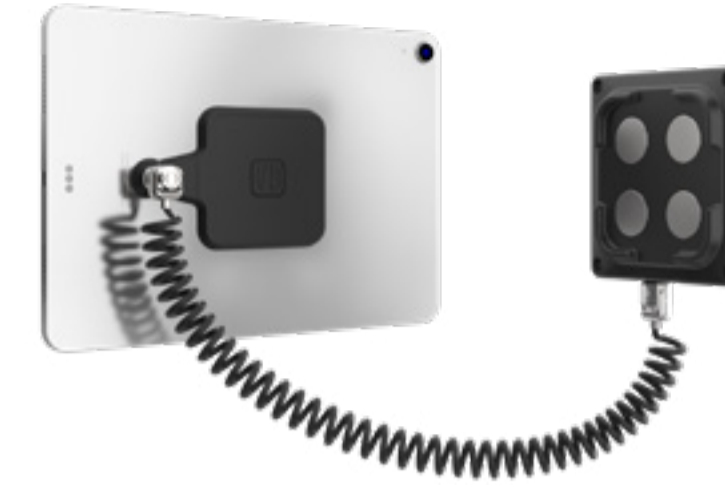
Portrait or Landscape orientation

Space Enclosure

100x100mm VESA Mount

- High-grade aluminium enclosure with rounded edges
- Designed for improved ventilation
- Conceals charging cable
- Quick keyed access

[Learn More >](#)



Magnetix Wall Mount

100x100mm VESA Mount

- Universal mount system for all tablets
- For Displays and Handheld use, cable lock secured
- Easily switch between landscape and portrait orientations

[Learn More >](#)



Invisible Swing Wall Mount

100x100mm VESA Mount

- Universal, compatible with any tablet / laptop with min. 8" x 5" flat fixing area
- Tilt, pan, and swing for multiple display angles
- Industrial strength adhesive

[Learn More >](#)



Cling Wall Mount

100x100mm VESA Mount

- Universal, compatible with tablets 7" - 13", Max thickness: 9.3mm
- Rotates between portrait and landscape orientations
- Tamper proof design
- Secure cable management

[Learn More >](#)



Space Enclosure Swing Wall Mount Best Seller

100x100mm VESA Mount

- Conceals charging cable
- High-grade aluminum enclosure
- Quick lock and unlock keyed lock
- Tilt, pan, and swing for multiple display angles

[Learn More >](#)

Counter Stands



Space Enclosure Fixed 45 Stand

Best Seller

100x100mm
VESA Mount

75x75mm
VESA Mount

- High-grade aluminium stand
- Enclosure can be set in landscape or portrait orientation
- Wall or countertop mountable

[Learn More >](#)



Tilt & Rotate
counter mount

Space Enclosure Rotating Stand

Best Seller

100x100mm
VESA Mount

- 90° screen rotation
- Full reverse screen tilt
- Weight balanced base
- Customer-oriented design

[Learn More >](#)



HoverTab Lock Stand

Best Seller

- Universal tablet stand
- Portrait or landscape orientation
- Key lock for easy removal
- 60° table top, 30° wall mounted viewing angle

[Learn More >](#)



Screen tilt &
swivel

Invisible Mount Rise Stand

100x100mm
VESA Mount

75x75mm
VESA Mount

- Height options available
- Through arm cable management
- Swiveling and tilting mount head
- Optional adhesive and free-standing bases

[Learn More >](#)



SKU: TCDP04SMP01B

Magnetic AV Capsule Stand

100x100mm
VESA Mount

- Concealed storage space for cables and battery
- 30° table top, 60° wall mounted viewing angle
- Built-in cable lock slot

[Learn More >](#)



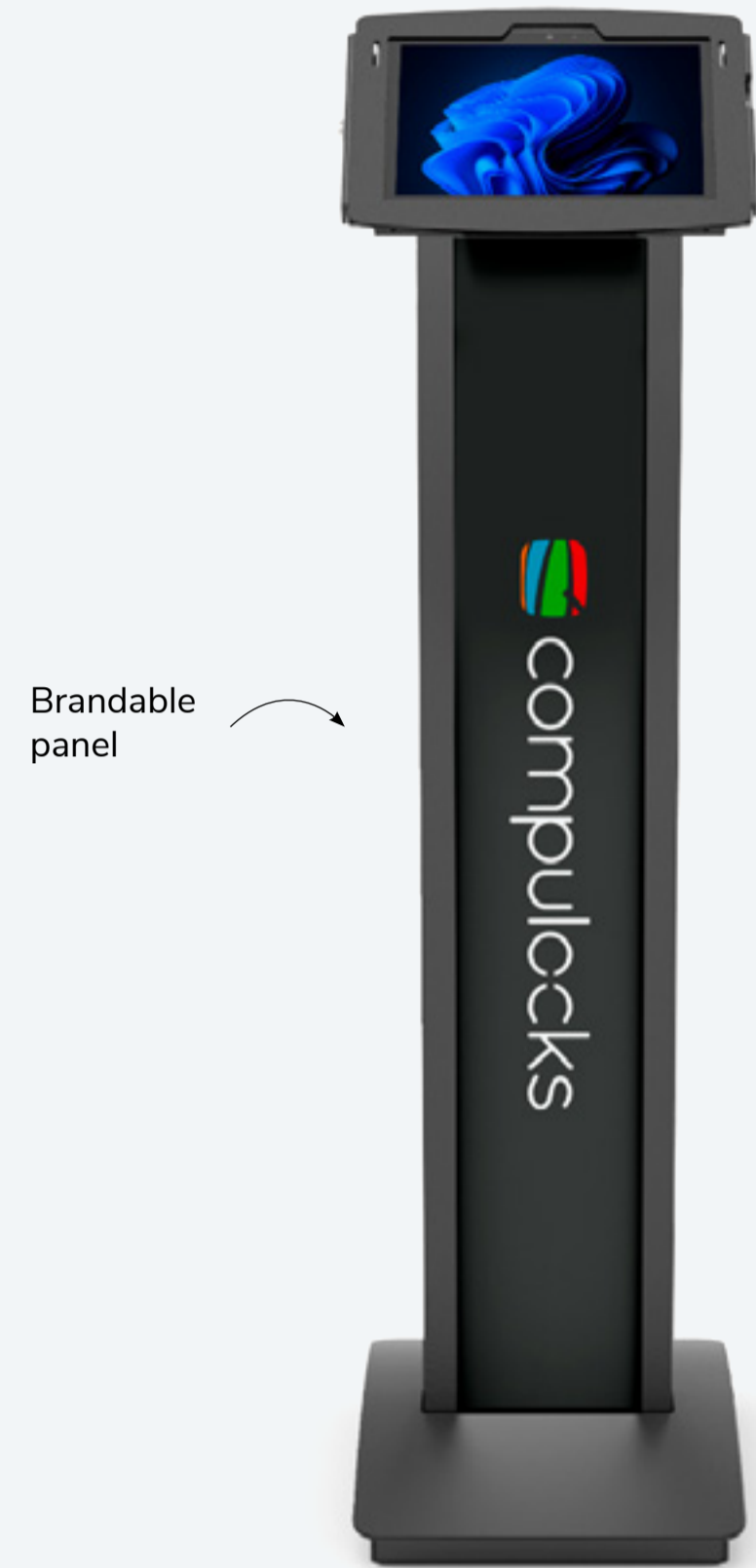
Ideal for video
conference
management

Cling Stand

- Fixed angle secure stand
- Tamper proof design
- 90° screen rotation
- VHB and screw mounts included

[Learn More >](#)

Floor Stands

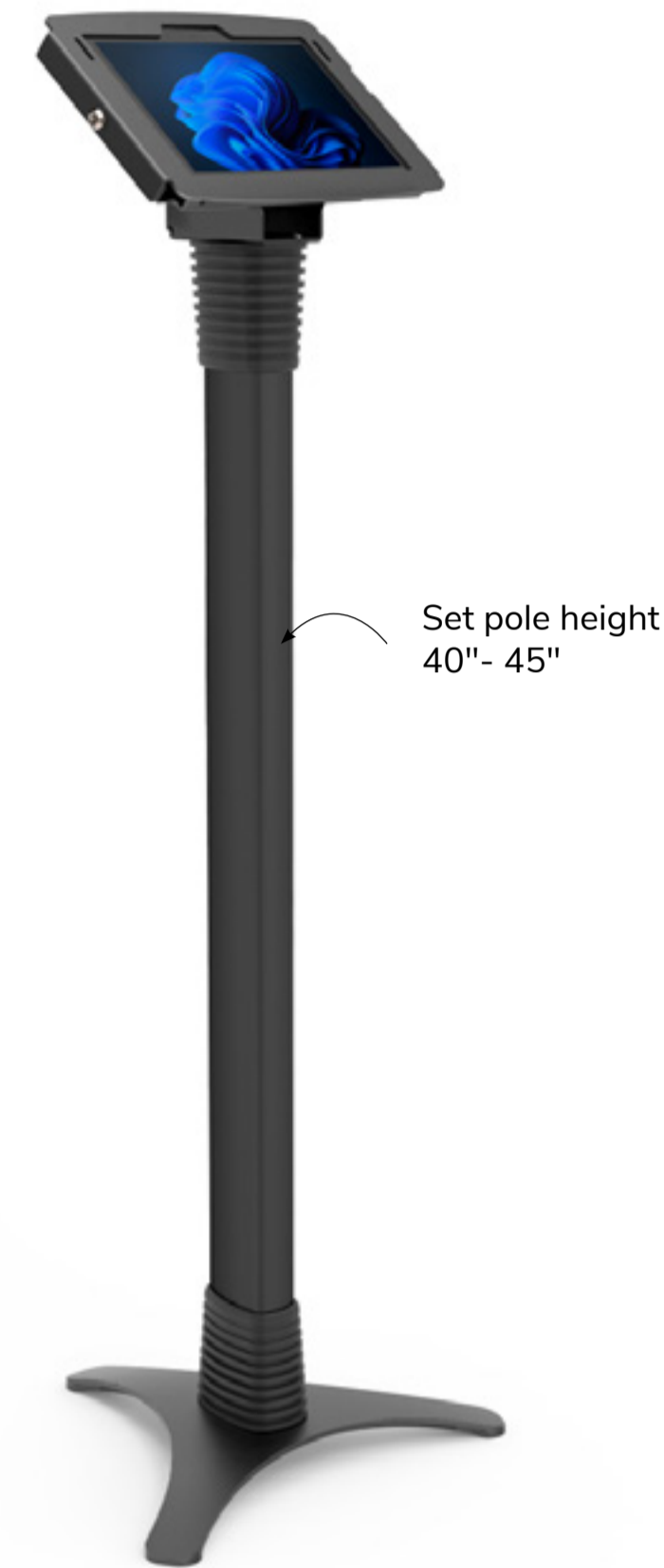


BrandMe Floor Stand

100x100mm
VESA Mount

- Tilting head
- Panel for branding, call to action, or custom design
- Cable management for charging while mounted
- Concealed storage space for adaptor, batteries, etc.

[Learn More >](#)

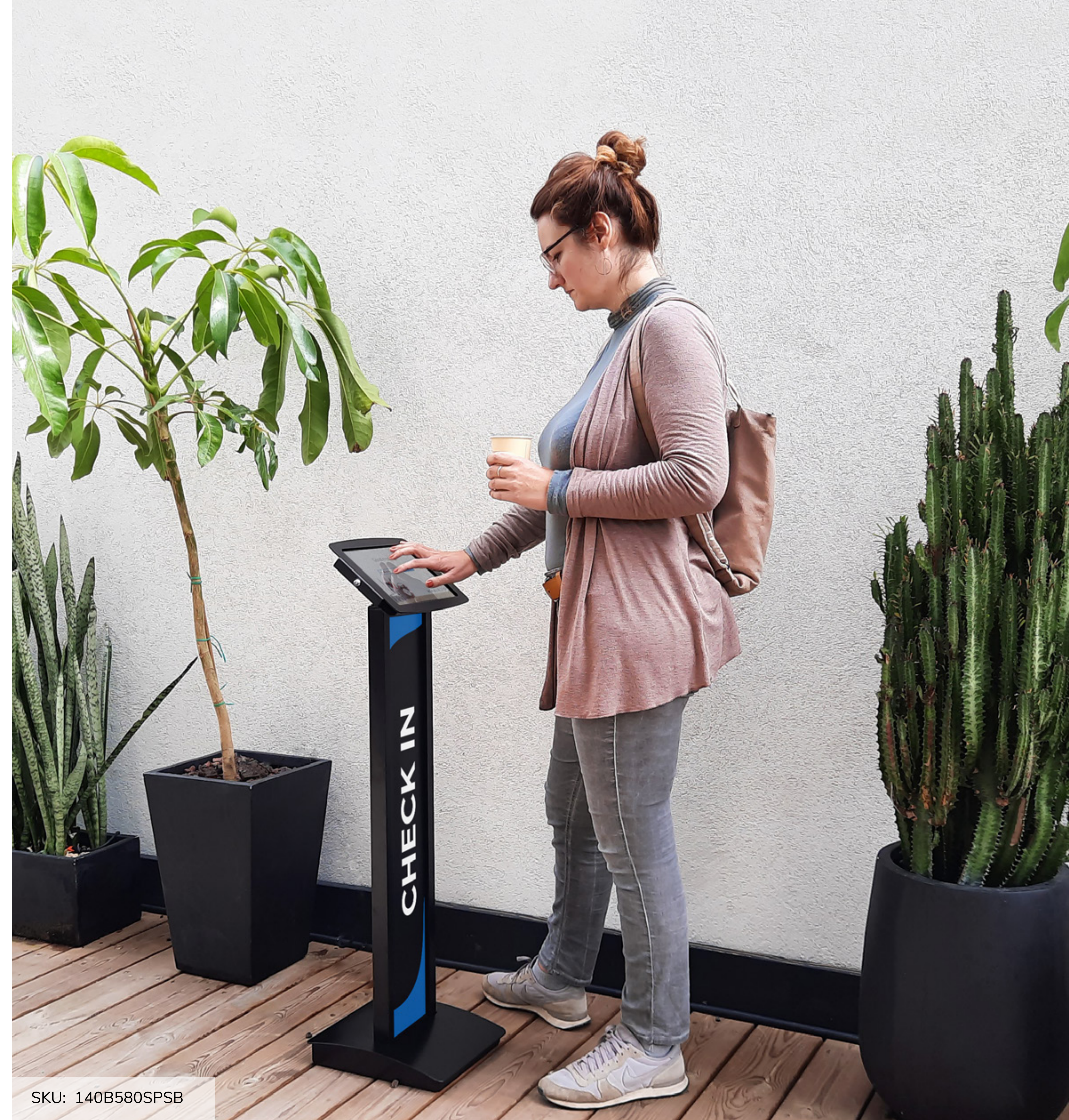


Portable Floor Stand

100x100mm
VESA Mount

- Floor stand with adjustable height
- Fixed 45° viewing angle
- Cable management through the pole
- Space for charging block

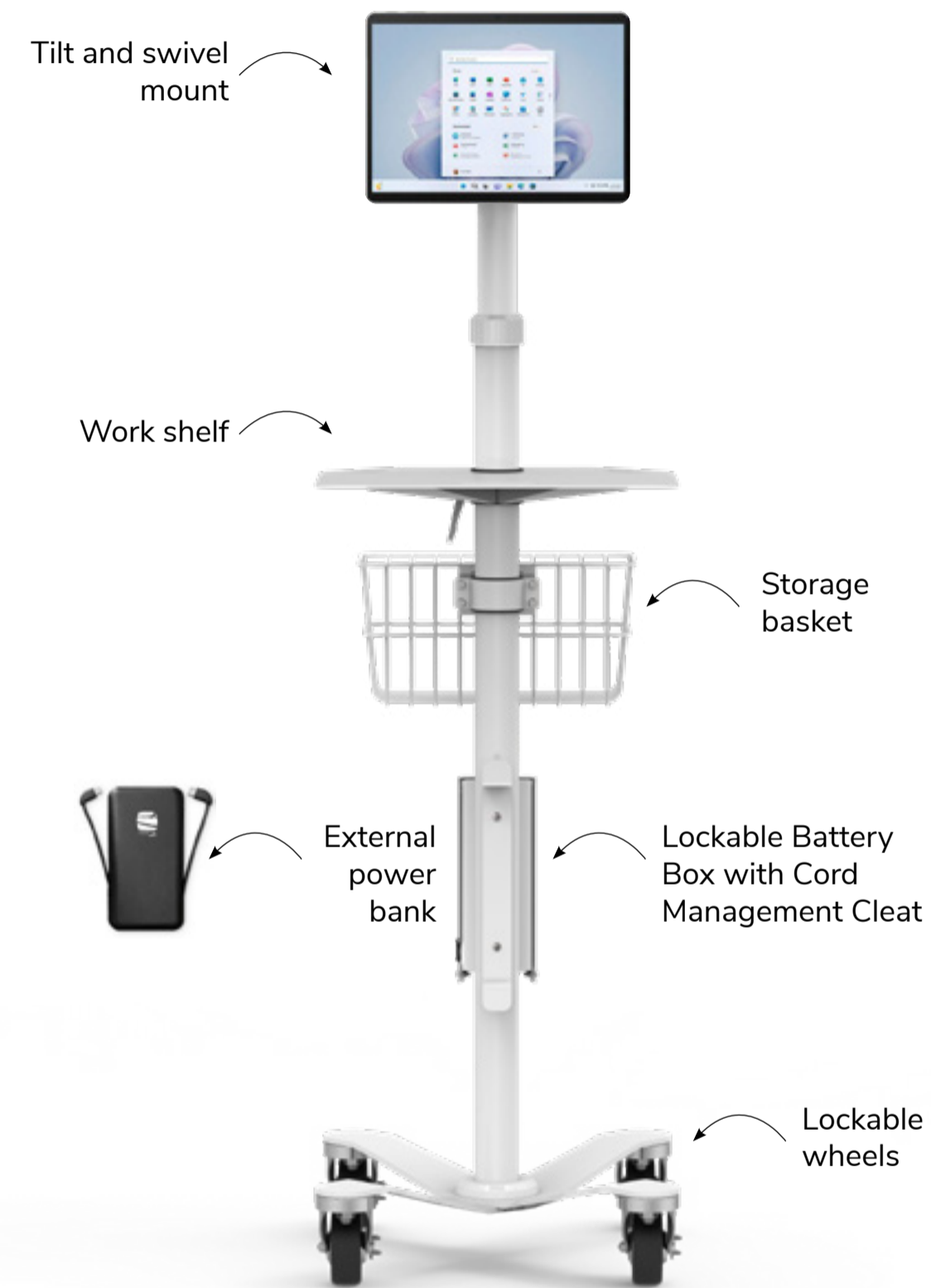
[Learn More >](#)



SKU: 140B580SPSB

Rolling Stands

Rolling Cart



100x100mm VESA Mount

75x75mm VESA Mount

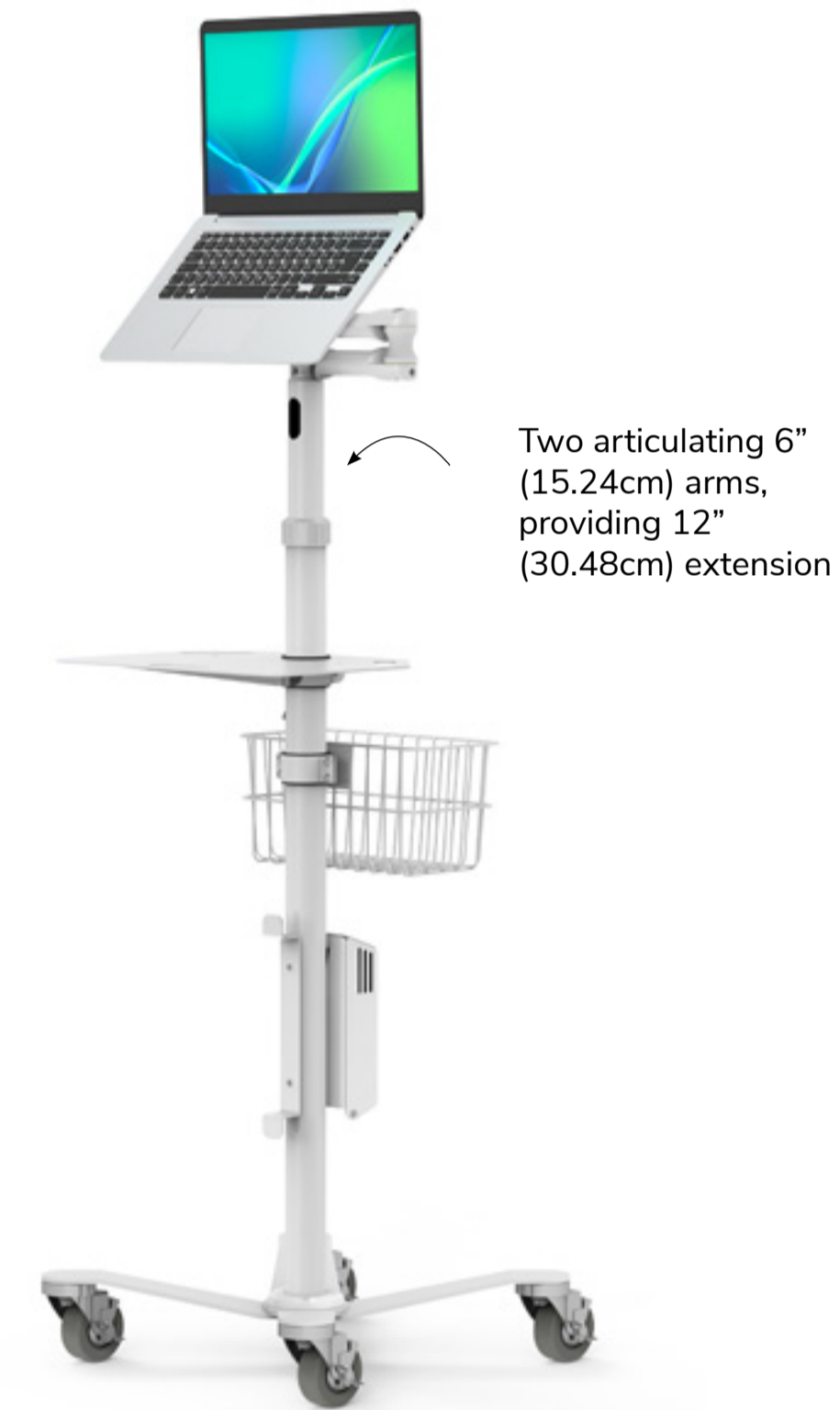
- Dynamic, rolling, hands-free workstation
- Through pole cable management
- Adjustable height and viewing angles
- Rolls easy and fits in tight places
- Perfect for healthcare and medical settings

[Learn More >](#)

[See more ▶](#)

Extended Rolling Cart

2022 Best Seller



[Learn More >](#)

Other Mounts

Glass Mount

100x100mm VESA Mount



- Securely mount any tablet on smooth surfaces including marble and glass; no drilling required
- Easy to install and can be removed using a dedicated tool (supplied separately)
- Powerful VHB adhesive pads to fix to glass and other smooth surfaces

[Learn More >](#)

Rail Mount

100x100mm VESA Mount

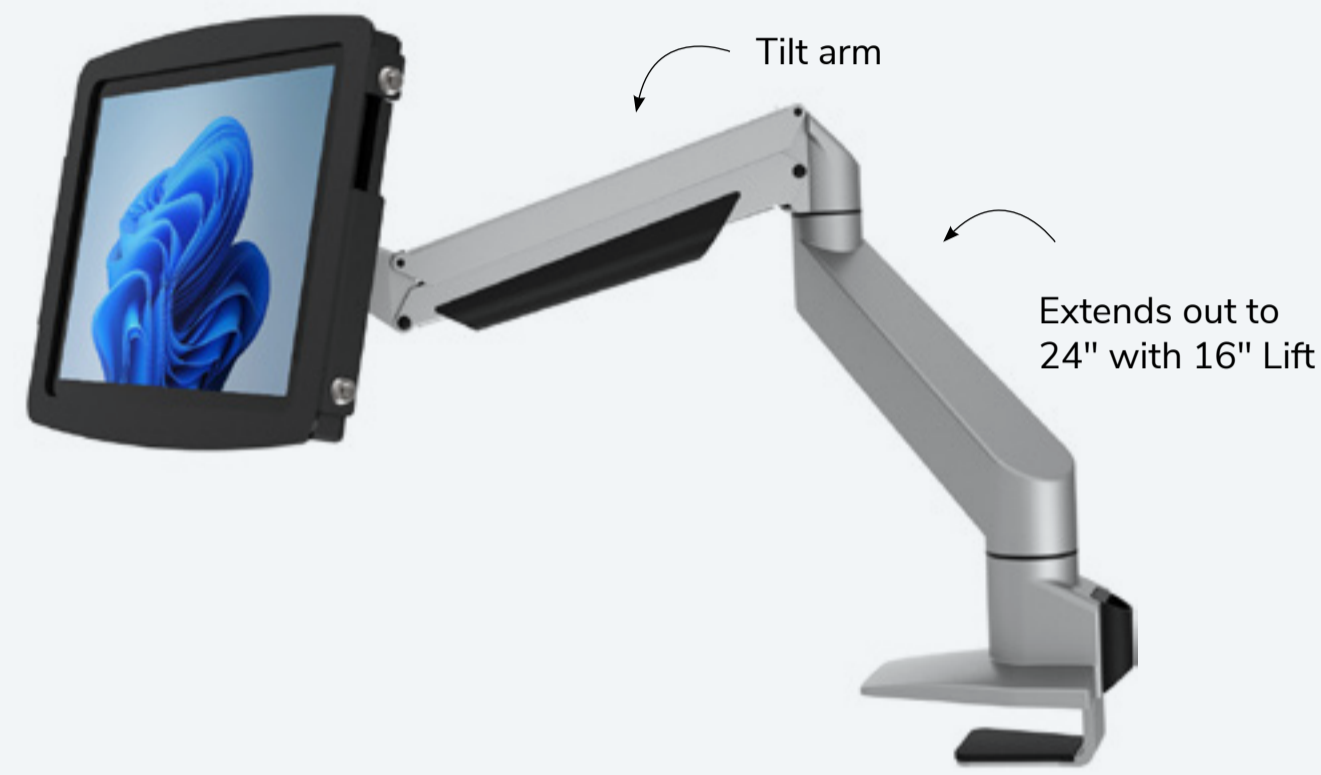
75x75mm VESA Mount



- Fix to rails 12.7mm (0.5") Ø to 38.0mm (1.50") Ø
- 360° screen swivel
- 125° screen flip

[Learn More >](#)

Ergonomic Arms



Articulating Arm

75mm/100mm
VESA Mount

- Wide range of motion: tilt, swing, and pan
- Clamp-on, mount through desk or wall mount
- Cable management keeps all wires and cords organized

[Learn More >](#)

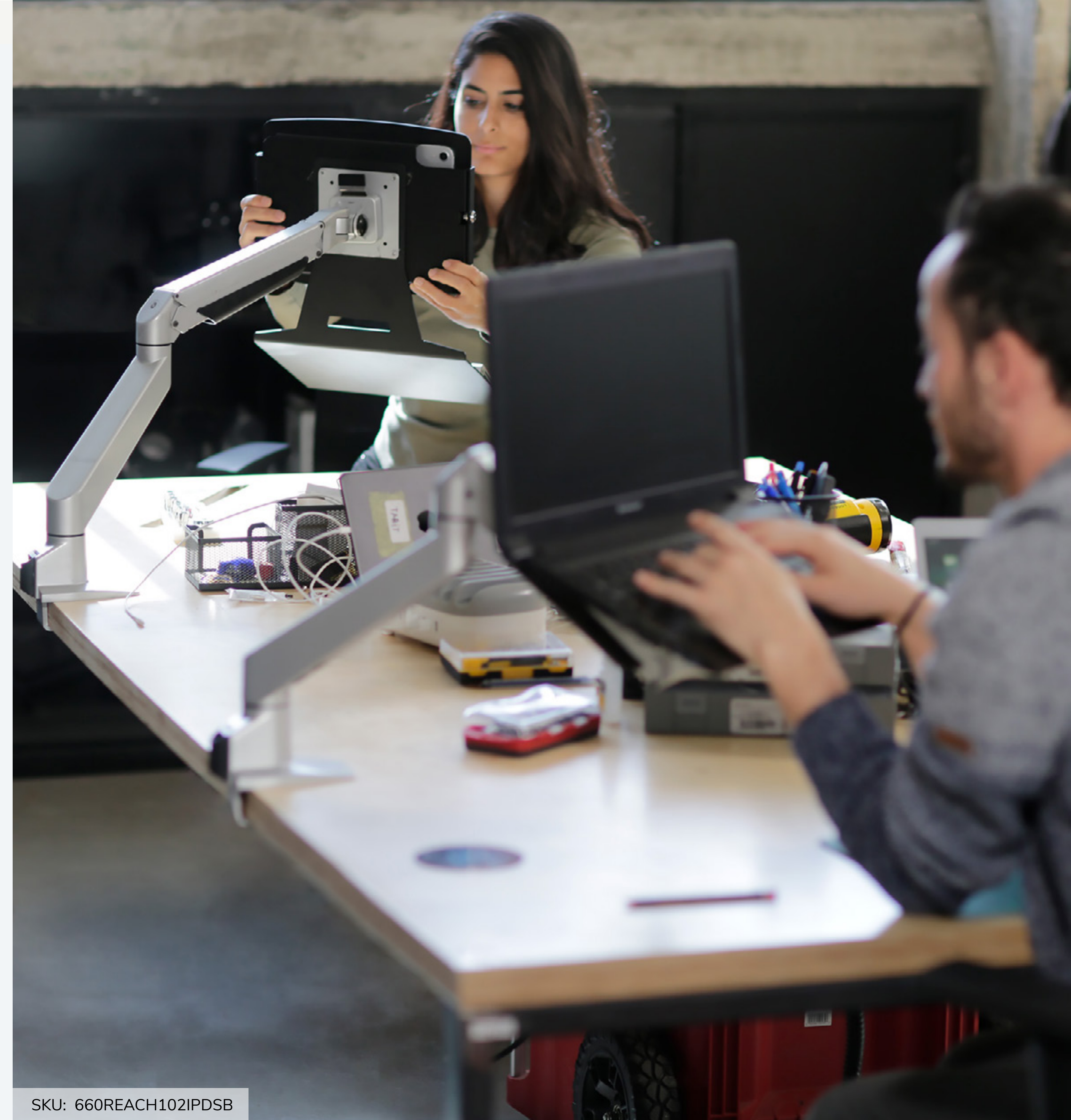


Extra Long Articulating Arm

100x100mm
VESA Mount

- Extra-long 4 ft. arm
- Ergonomic monitor arm
- Suitable for hospitals, clinics, and patient monitoring applications or interactive bedside entertainment systems

[Learn More >](#)



SKU: 660REACH102IPDSB

Did you know?

The FBI's National Crime Information Center estimates that each year up to 800,000 memory devices (laptops, tablets etc) are lost or stolen. Due to their value, securing Macbooks, Laptops and tablets is more urgent than ever.

Compulocks offers a range of security solutions for any device.

*Source: forbes.com

Locks

Lock Adapters & Cable Locks



Surface Ledge Lock Adapter

- Patented design for Surface Pro & Go devices
- Easy lock and release mechanism
- Fits perfectly on the kickstand

[See more >](#)

[Learn More >](#)



Universal Tablet Lock

- Low-profile Universal Security Plate
- 3M VHB Industrial Adhesive
- 6ft Galvanized Steel Cable Lock
- Loop Ended Cable for "Anywhere" Tethering

[Learn More >](#)



Blade Universal Lock

- Universal for any device
- Extremely durable
- Compatible with standard T-bar cable lock

[Learn More >](#)



Keyed Cable Lock

6ft T-Bar universal keyed cable lock

[Learn More >](#)



Combination Cable Lock

6ft T-Bar universal combination cable lock

[Learn More >](#)





Protective Solutions



Screen Shield

Tempered glass screen protector

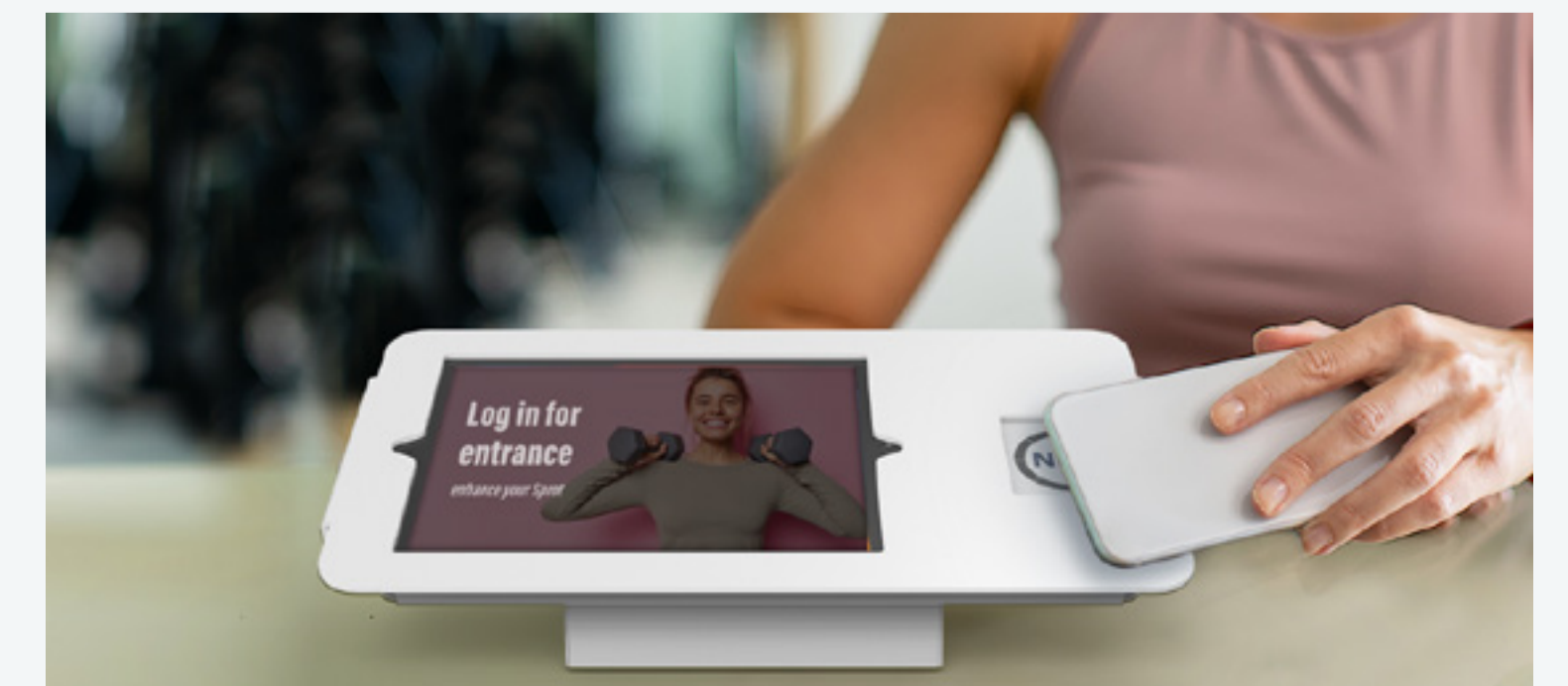
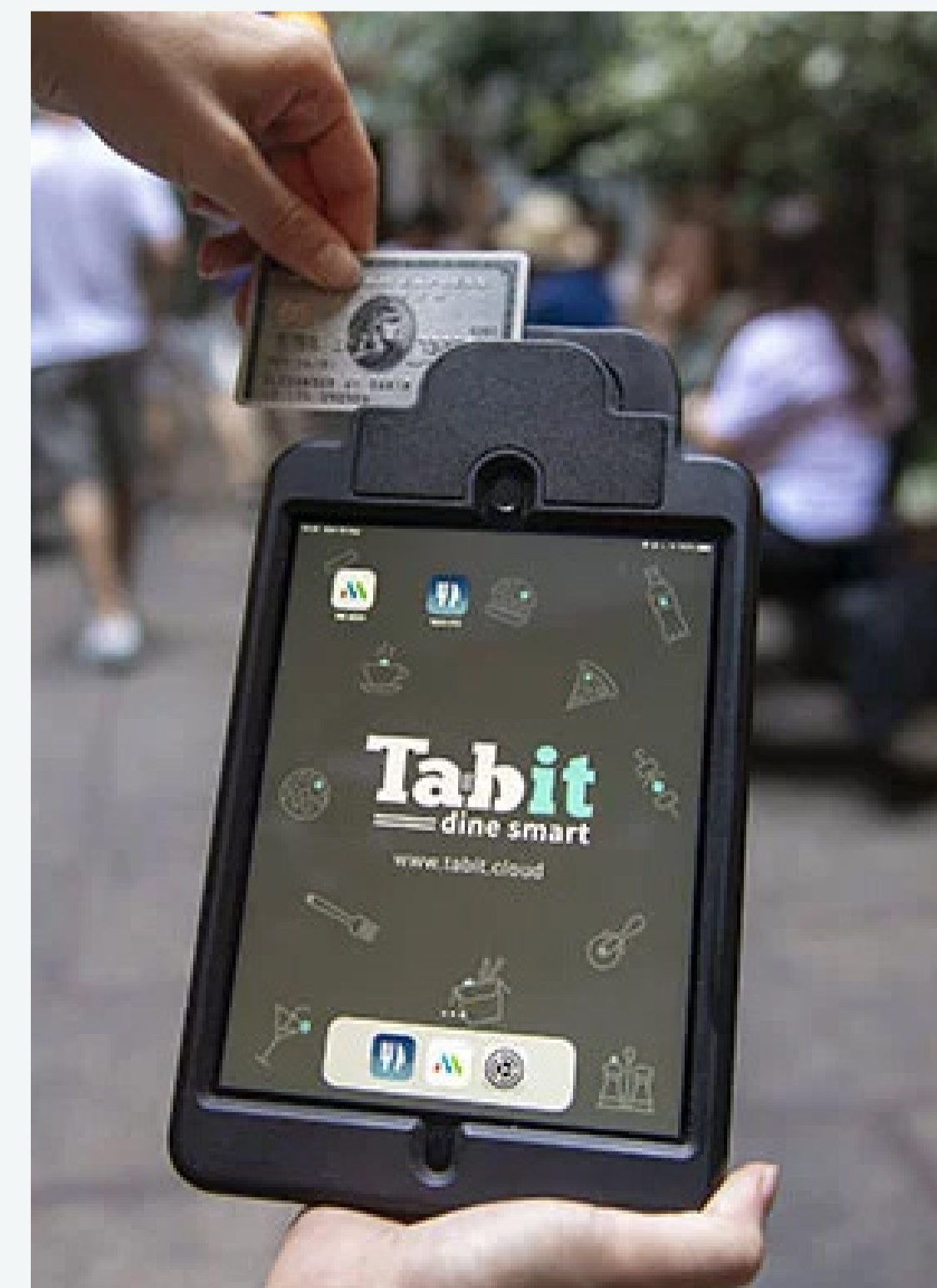
- Shatter-proof and scratch-resistant
- Maintains touchscreen sensitivity
- Crystal clear image resolution
- Nano-coating to repel finger marks and dust

[Learn More >](#)

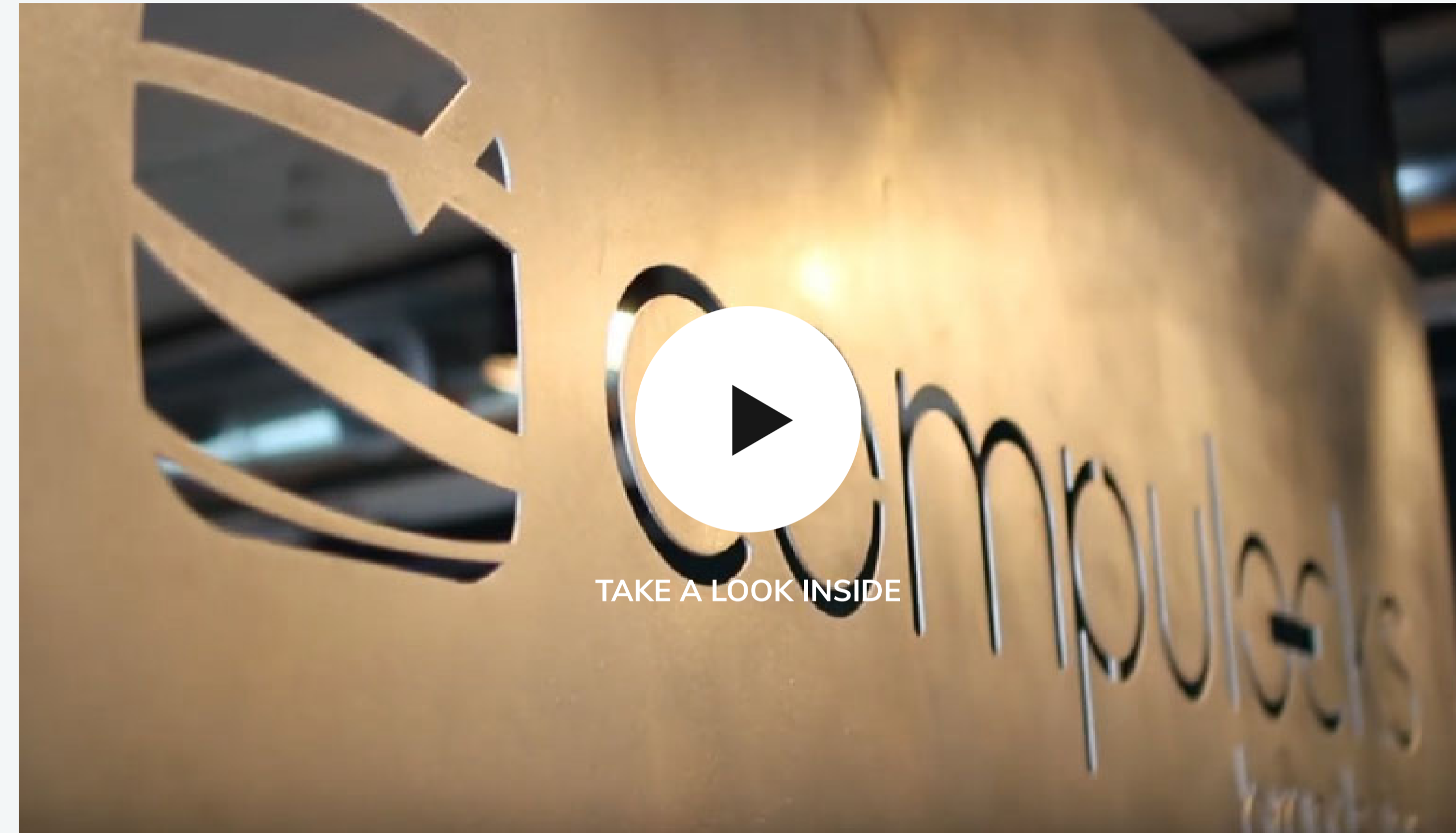
Custom Made Solutions

Work culture is changing all the time. Every work environment has different and specific needs. With a track record of delivering transformative, functional experiences across the world, we are dedicated to advancing brands' messages and vision by creating the right solution for any organization.

[Learn More >](#)



Let's Meet!



Contact us

www.compulocks.com

b2b@compulocks.com

Compulocks Europe

www.maclocks.eu

eu@compulocks.com